

FIBER OPTIC ABS SPLITTERS

The ABS Splitter is one of the most important passive devices in the optical fiber link. It is an optical fiber tandem device with many in and output terminals, especially applicable to a passive optical network (EPON, GPON, BPON, FTTX, FTTH, etc) to connect the MDF and the terminal equipment.

Compliance:

Telcordia GR-1209-CORE

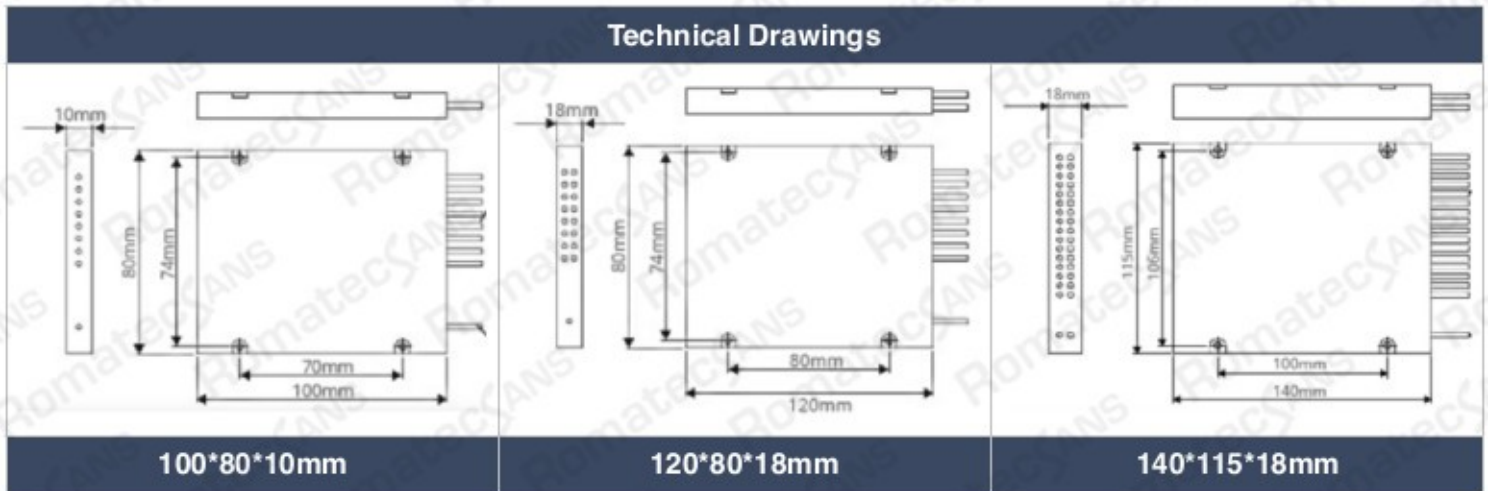
Telcordia GR-1221-CORE

RoHS



Number of Channels	Without Connector					
	1x2	1x4	1x8	1x16	1x32	1x64
Operating Wavelength (nm)	1260 ~ 1650					
P Level Insertion Loss (dB)	3.8	7.0	10.2	13.5	16.5	20.5
S Level Insertion Loss (dB)	4	7.3	10.5	13.7	16.9	21.0
Loss Uniformity (dB)	0.4	0.6	0.8	1.2	1.5	2.5
Wavelength Dependent Loss (dB)	0.3	0.3	0.3	0.5	0.5	0.5
Temperature Stability (-40 ~ +80°C) (dB)	0.5	0.5	0.5	0.5	0.5	0.5
Return Loss (dB) (P/S Grade)	55/50					
Directivity (dB)	55					
Fiber type	G.657A1 or Customer Specified					
Operating Temperature	-40 ~ +85°C					
Pigtail length	Customized					

* Add additional 0.2dB loss per connector.



ORDERING INFORMATION												
Type	Fibre type		Tails A		Out A		Pol. A		Length (M)		Diameter A	
ABS	01	G.652B	1		FC		A APC		0.25		A 250um	
FBT	02	G.652D	2		E2000		U UPC		0.5		B 900um	
PLC	655	G.655			LC				1		C 1.2mm	
	7A1	G.657A1			MU				1.5		D 2mm	
	7A2	G.657A2			SC				2		E 3mm	
	7B3	G.657B3			ST				2.5			
	M1	OM1										
	M2	OM2										
	M3	OM3										
	M4	OM4										
Tails B	Out B		Pol. B		Length (M)		Diameter B		Jacket		Color	
2	FC		A APC		0.25		A 250um		L LSZH		12 12 Colors	
4	E2000		U UPC		0.5		B 900um		P PVC		A Aqua	
8	LC				1		C 1.2mm				O Orange	
16	MU				1.5		D 2mm				W White	
32	SC				2		E 3mm				Y Yellow	
64	ST				2.5							
ORDERING INFORMATION EXAMPLE												
ABS	7A1		2		SC		A		1		B	
32	SC		A		1		B		L		Y	

Configuration: ABS Splitter G.657A1 1x32 SC/APC to SC/APC 1mt tails 900um LSZH Yellow

HONG KONG

Romatecsans International Limited
7/F., Catic Building, No. 44 Tsun Yip
Street, Kowloon, Hong Kong
Tel. +852 8199 9706
asia@romatecsans.com

CHILE

Importadora y Exportadora Romatecsans Ltda.
Carmen Farina 6758, Vitacura,
Santiago, Chile
Tel.: +56 22 9797 922
ventas@romatecsans.com

sales@romatecsans.com
www.romatecsans.com

