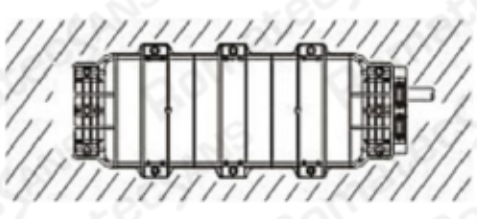

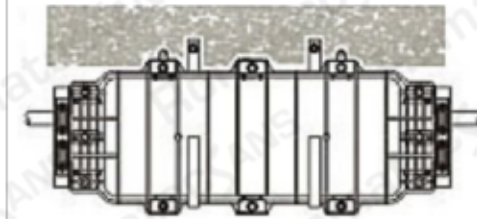


FIBER OPTIC INLINE ENCLOSURE MODEL IMX

IP68 Inline Enclosures are suitable to protect fiber optic cable splices in branching applications. The outer injection moulded body makes it impenetrable to elements. Romatecsans Model IMX can hold up to 288 splices.



Protection grade	IP68
Material	Modified Polymer Plastic
Seal Material	Vulcanized Silicone Rubber
Dimensions (mm)	648*254*158
Type of seal	Mechanical
Weight (kg)	6 ~ 8
Cable entries (mm)	Φ 10 ~ 20
Operating Temperature (°C)	-40°C ~ +60°C
Packing	1 box of 680*580*400 : 4 units

Installation Methods		
Direct Buried	Aerial	Pipe-lined
		

ORDERING INFORMATION	
Model	Fibers
IMX	288